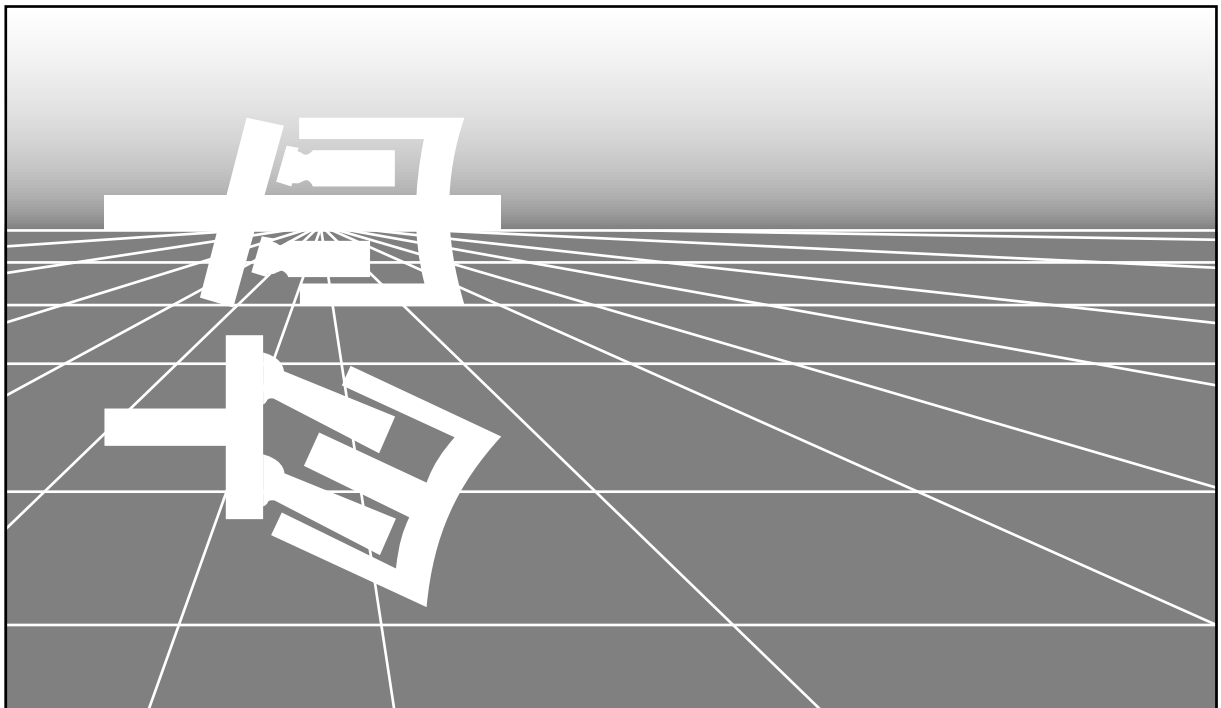


Service Parts List

AA4V125

Series 1



Ordering of AA4V Parts

For Rexroth to supply the correct parts for your unit, please include all of the following information with your parts order.

TYPE CODE
TYPE NUMBER
SERIAL NUMBER
PART NUMBER
PART NAME

Due to modifications and improvements to our products, minor changes can occur to the parts, even though the type code may not necessarily reflect these changes. The type number and serial number will guarantee that the correct parts for your unit are supplied.

HYDROMATIK GMBH ULM (DONAU)		
THE REXROTH CORP., WOOSTER, OHIO		
TYPE		
AA4VG71HDD1/32R-PSF52F001D		
NO		
245.18.43.23		
SERIAL NO.	YEAR	MINERAL
1127809	10.95	OIL
MADE IN W. GERMANY		
ROTATION		

ORDERING EXAMPLE

To order a replacement charge pump for an AA4V hydrostatic transmission pump having the above nameplate, the following information would be required.

+ Type Code	AA4V90HD1R30101
+ Type Number	233.22.15.23
+ Serial Number	1127809
* Part Number	5440-430-001
* Part Name	Charge Pump

+ This information is taken from the nameplate on the pump.

* This information is taken from the Service Parts List.

Rotary Groups.....Page 6-9

Housing.....10-11

Stroking Piston.....12-13

Port Block.....14-15

HD Control.....16-17

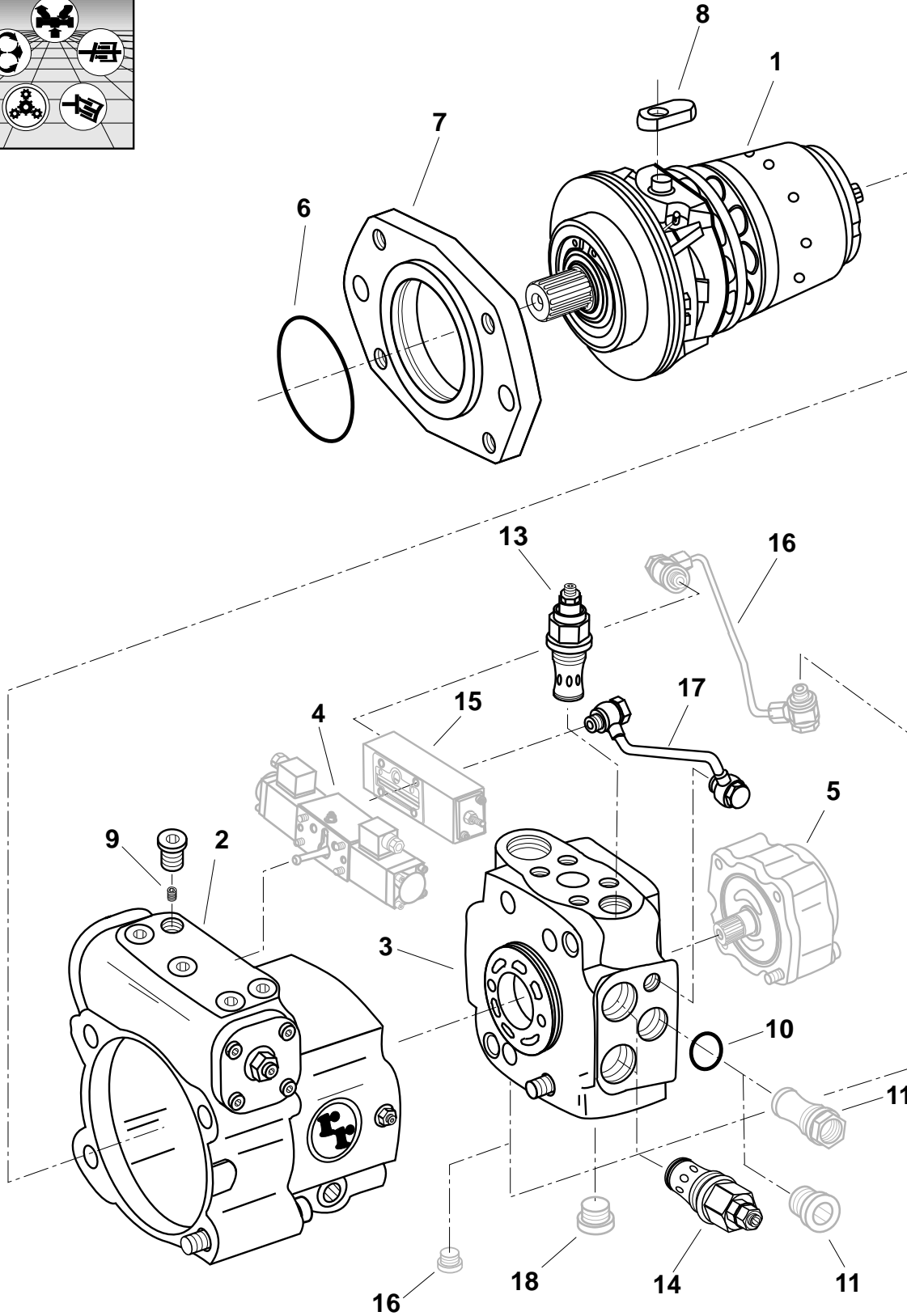
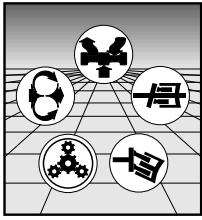
HW Controls.....18-21

EL Controls.....22-25

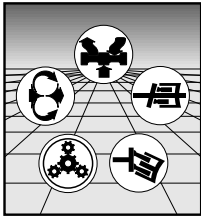
Charge Pump.....26-27

Thru-Drives.....28-35

P.O.R.....36-37



Assembly Number
AA4V125



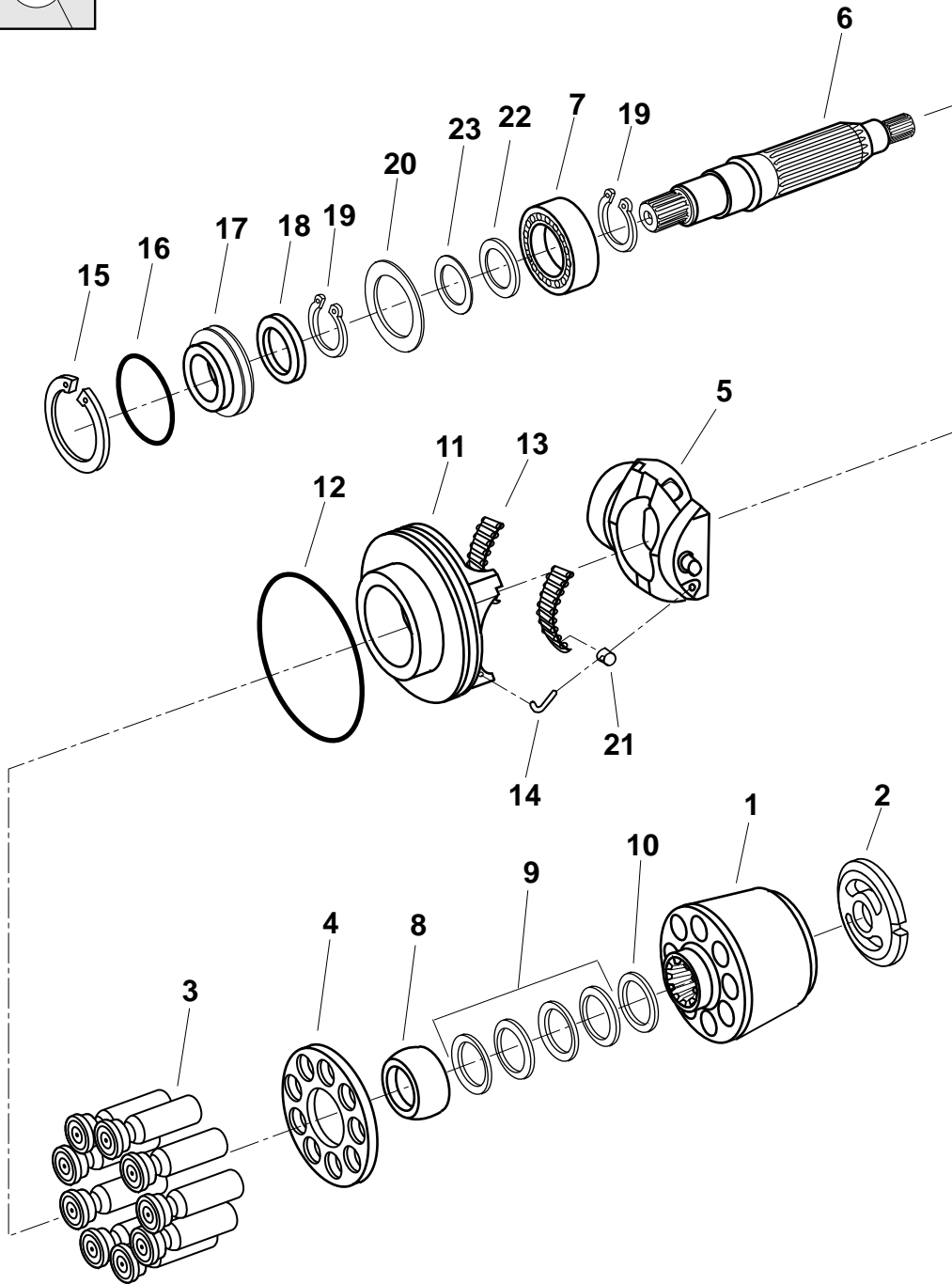
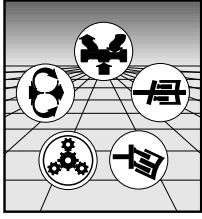
REXROTH CORPORATION

MOBILE HYDRAULICS DIVISION

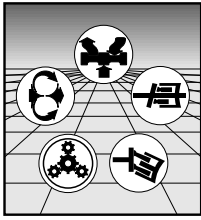
Assembly Number
AA4V125

Item	Description	Qty	Part Number	
1	Rotary - Group Assembly CW	1	5450-570-001	
1	Rotary - Group Assembly CCW	1	5450-570-002	
2	Housing Assembly	1	5450-566-011	
3	Port Block Assembly	1	5450-430-010	
4	HD Control Assembly	1	5451-552-001	
4	HW Control Assembly	1	5452-552-001	
4	HW Control Assembly with Integral POR	1	5452-552-002	
4	EL Control Ass'y (24 Volts Proportional)	1	5453-552-001	
4	EL Control Ass'y (12 Volts Proportional)	1	5453-552-002	
5	Charge Pump	1	5450-430-001	
5	Charge Pump "A" Thru Drive Assembly	1	5450-635-010	
5	Charge Pump "B" Thru Drive Assembly	1	5450-635-003	
5	Charge Pump "B-B" Thru Drive Assembly	1	5450-635-012	
5	Charge Pump "C" Thru Drive Assembly	1	5450-635-014	
6	O-Ring (70 Duro Buna PRP-246)	1	68101-260	*
7	Front Flange	1	H401636	
8	Slide Block	1	H074134	
9	Stroking Time Orifice (0.8 mm)	2	H156492	
9	Stroking Time Orifice (1.0 mm)	2	H156493	
9	Stroking Time Orifice (1.2 mm)	2	H156494	
9	Stroking Time Orifice (1.4 mm)	2	H156495	
10	O-Ring (90 Duro Buna PRP-129)	1	68104-129	*
11	Filter Sleeve	1	5450-083-001	
11	Plug (M42 x 2)	1	76118-002	
13	Charge Pump R/V Ass'y	1	5450-566-007	
14	Main R/V Assembly (2600 - 6100 PSI)	2	5450-566-006	
14	Main R/V Assembly (870 - 2610 PSI)	2	5450-566-008	
15	POR Control Assembly	1	5400-635-005	
16	POR Tube	1	5450-635-005	
16	Plug (M12 x 1.5)	1	76116-002	
17	Control Pipe Kit HD & EL without POR	1	5450-635-001	
17	Control Pipe Kit HD, HW & EL with POR	1	5450-635-004	
17	Control Pipe Kit HW without POR	1	5452-635-001	
18	Plug (1 1/16-12 UNF)	1	76107-012	

* Contained in Buna Seal Kit 5450-635-002



Assembly Number
5450-570-001



REXROTH CORPORATION

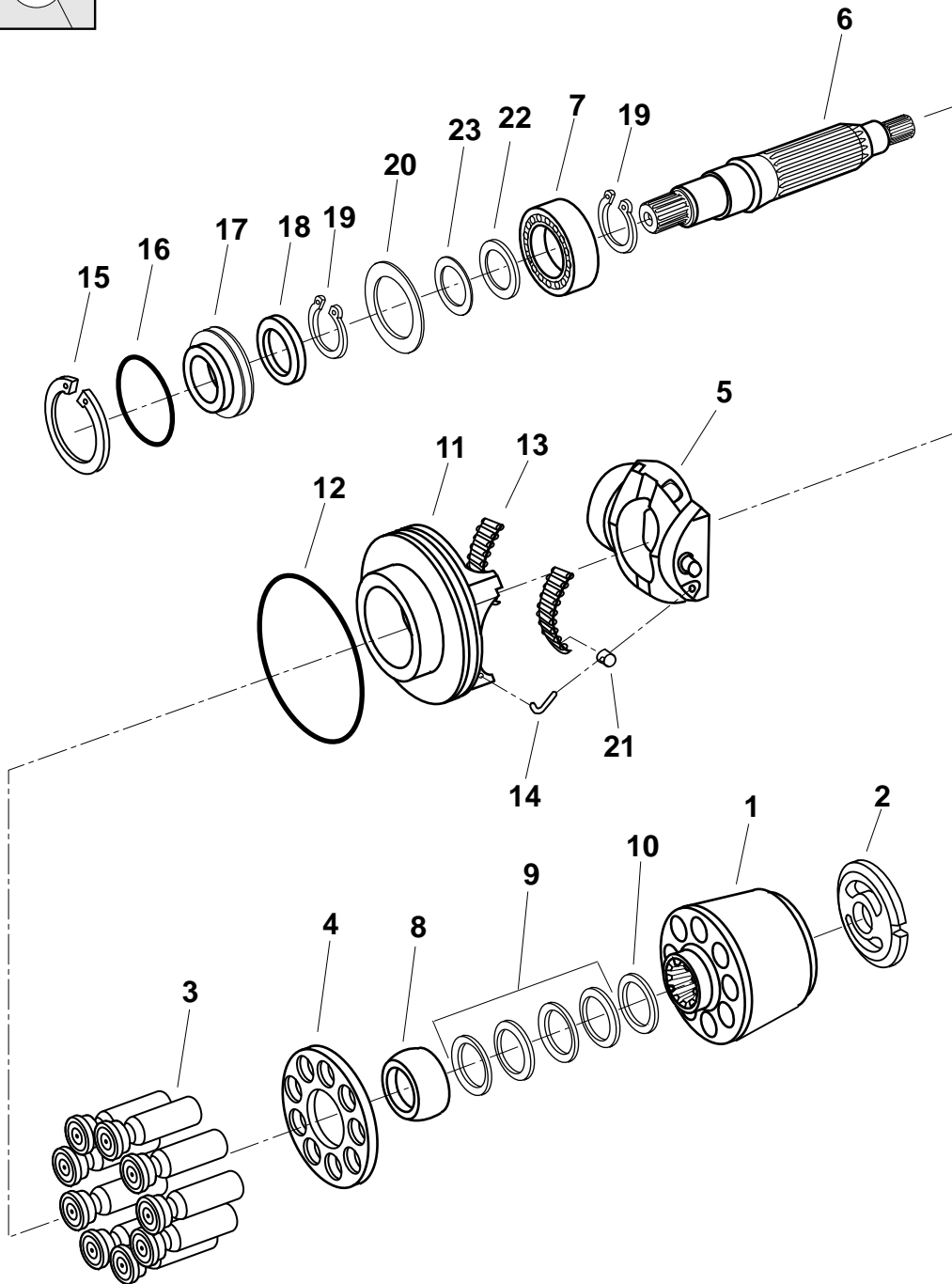
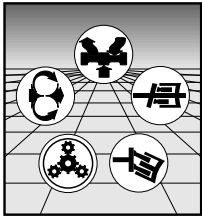
MOBILE HYDRAULICS DIVISION

Assembly Number
5450-570-001

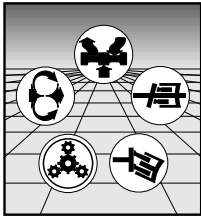
Item	Description	Qty	Part Number	
1	Barrel AA4V125	1	H415129	
2	Control Lens CW	1	5450-049-005	
3	Piston	9	H078189	
4	Retaining Plate	1	H432846	
5	Swash Plate Assembly	1	5450-430-012	
6	Shaft SAE	1	H401631	
7	Roller Bearing	1	H154428	
8	Retaining Ball	1	H426460	
9	Belleville Washer	1	H074128	
10	Preload Shim (1.1 mm)	1	H078319	▲
10	Preload Shim (0.7 mm)	0	H413043	▲
10	Preload Shim (0.9 mm)	0	H412706	▲
10	Preload Shim (1.3 mm)	0	H412707	▲
11	Bearing Flange	1	H080296	
12	O-Ring (70 Duro Buna PRP-260)	1	68101-260	*
13	Cage Bearing (Set)	1	H830058	
14	Wire	2	H417959	
15	Int. Snap Ring (90 x 3.0 DIN 472)	1	71128-058	
16	O-Ring (90 Duro Buna PRP-236)	1	68104-236	*
17	Front Cover	1	H401632	
18	Shaft Seal (Buna-N)	1	5000-076-010	*
19	Ext. Snap Ring (50 x 2 DIN 471)	2	71119-010	
20	Shim (70 x 90 x 0.1 DIN 988)	1	H084588	
20	Shim (70 x 90 x 0.3 DIN 988)	0	H084589	
21	Bearing Retainer Bushing	2	H401842	
22	Back-up Plate (50 x 62 x 1 DIN 988)	1	H084989	
23	Shim (50 x 62 x 0.3 DIN 988)	1	H156998	
23	Shim (50 x 62 x 0.1 DIN 988)	1	H156997	

* Contained in Buna Seal Kit 5450-635-002

▲ Select the correct Shim to set the Rotary Group preload



Assembly Number
5450-570-002



REXROTH CORPORATION

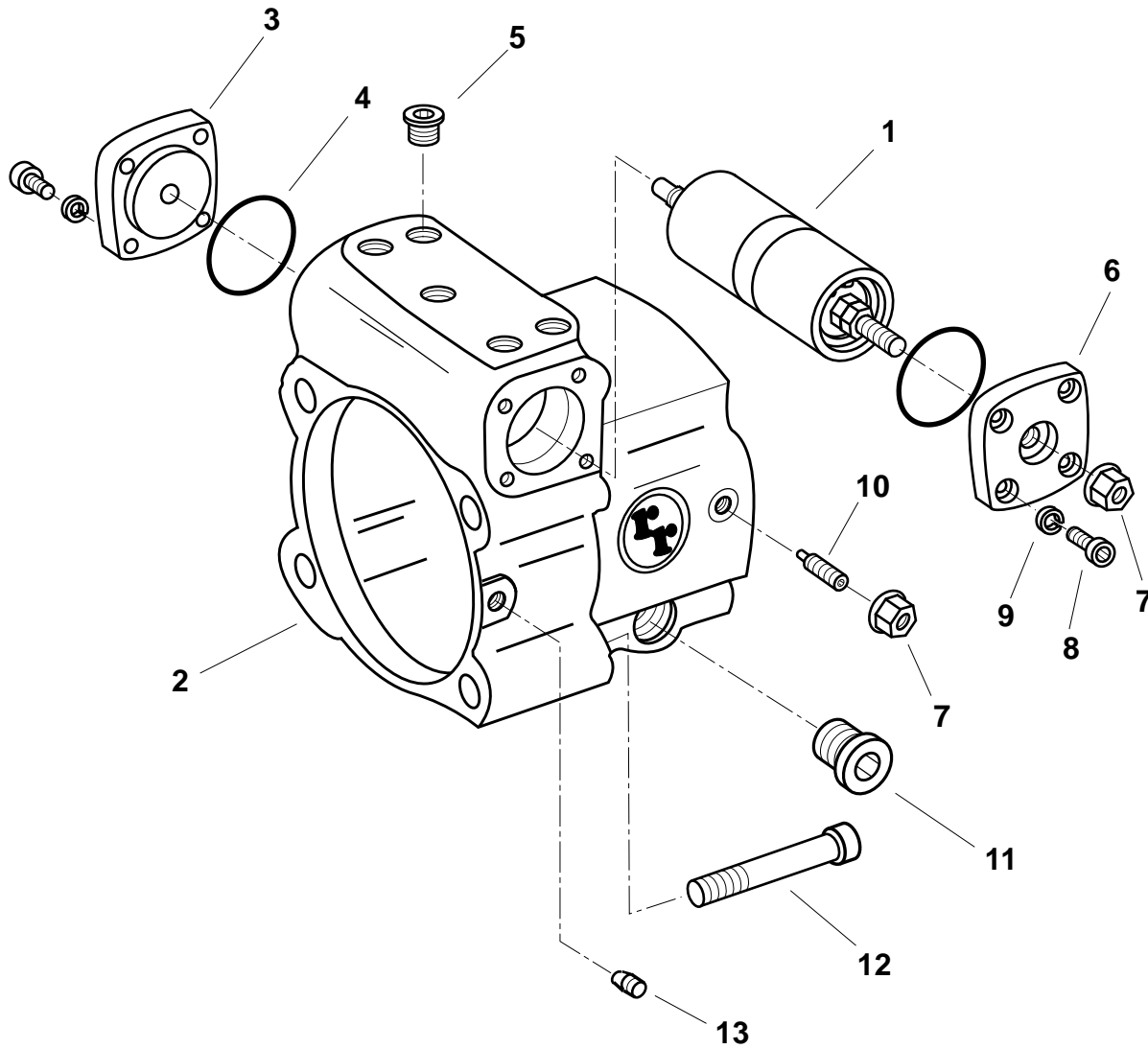
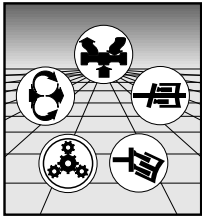
MOBILE HYDRAULICS DIVISION

Assembly Number
5450-570-002

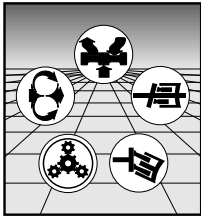
Item	Description	Qty	Part Number	
1	Barrel AA4V125	1	H415129	
2	Control Lens CCW	1	5450-049-006	
3	Piston	9	H078189	
4	Retaining Plate	1	H432846	
5	Swash Plate Assembly	1	5450-430-012	
6	Shaft SAE	1	H401631	
7	Roller Bearing	1	H154428	
8	Retaining Ball	1	H426460	
9	Belleville Washer	1	H074128	
10	Preload Shim (1.1 mm)	1	H078319	▲
10	Preload Shim (0.7 mm)	0	H413043	▲
10	Preload Shim (0.9 mm)	0	H412706	▲
10	Preload Shim (1.3 mm)	0	H412707	▲
11	Bearing Flange	1	H080296	
12	O-Ring (70 Duro Buna PRP-260)	1	68101-260	*
13	Cage Bearing (Set)	1	H830058	
14	Wire	2	H417959	
15	Int. Snap Ring (90 x 3.0 DIN 472)	1	71128-058	
16	O-Ring (90 Duro Buna PRP-236)	1	68104-236	*
17	Front Cover	1	H401632	
18	Shaft Seal (Buna-N)	1	5000-076-010	*
19	Ext. Snap Ring (50 x 2 DIN 471)	1	71119-0010	
20	Shim (70 x 90 x 0.1 DIN 988)	1	H084588	
20	Shim (70 x 90 x 0.3 DIN 988)	0	H084589	
21	Bearing Retainer Bushing	2	H401842	
22	Back-up Plate (50 x 62 x 1 DIN 988)	1	H084989	
23	Shim (50 x 62 x 0.3 DIN 988)	1	H156998	
23	Shim (50 x 62 x 0.1 DIN 988)	1	H156997	

* Contained in Buna Seal Kit 5450-635-002

▲ Select the correct Shim to set the Rotary Group preload



Assembly Number
5450-566-011



REXROTH CORPORATION

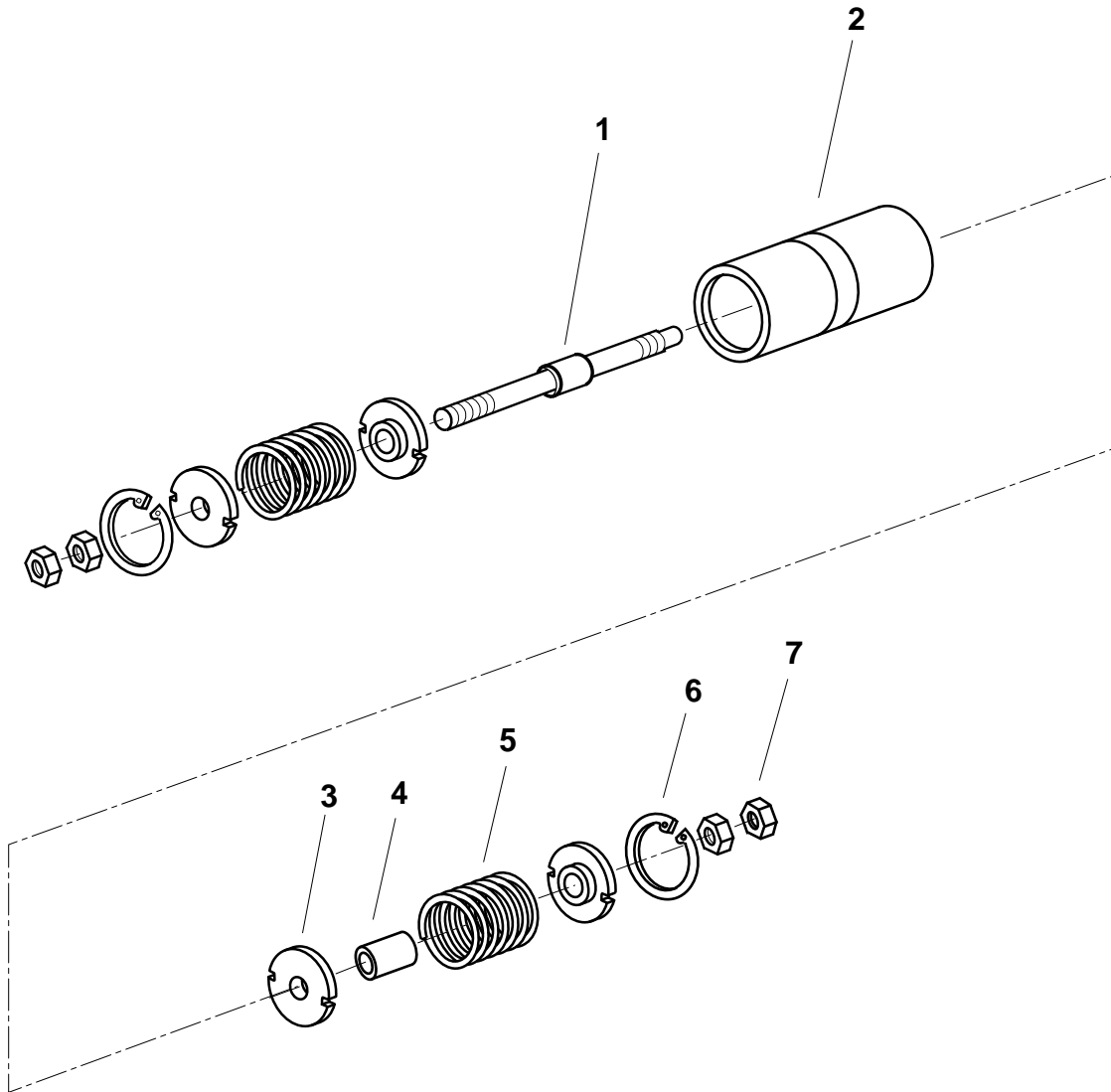
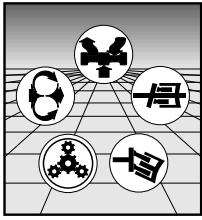
MOBILE HYDRAULICS DIVISION

Assembly Number
5450-566-011

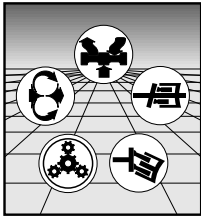
Item	Description	Qty	Part Number	
1	Stroking Piston Asssembly	1	5450-574-003	
2	Housing	1	5450-566-012	
3	Stroking Piston Cover	1	H414458	
4	O-Ring (70 Duro Buna PRP-144)	2	68101-144	*
5	Plug (SAE 7/16-20)	5	76107-004	
6	Stroking Piston Cover	1	H400431	
7	Seal Nut (M14 x 1.5)	2	65110-006	*
8	Cap Screw (M8 x 16 DIN 912-8.8)	8	60118-079	
9	Lock Washer (M8 DIN 7980)	8	61116-003	
10	Eccentric Screw	1	H420279	
11	Plug (SAE 1 5/16-12)	1	76107-016	
12	Cap Screw (M16 x 90 DIN 912-10.9)	4	60119-186	
13	Torsion Pin	1	H414045	▲
13	Torsion Pin	0	H414046	▲

* Contained in Buna Seal Kit 5450-635-002

▲ Choose the correct Torsion Pin to fit the Cradle.



Assembly Number
5450-574-003



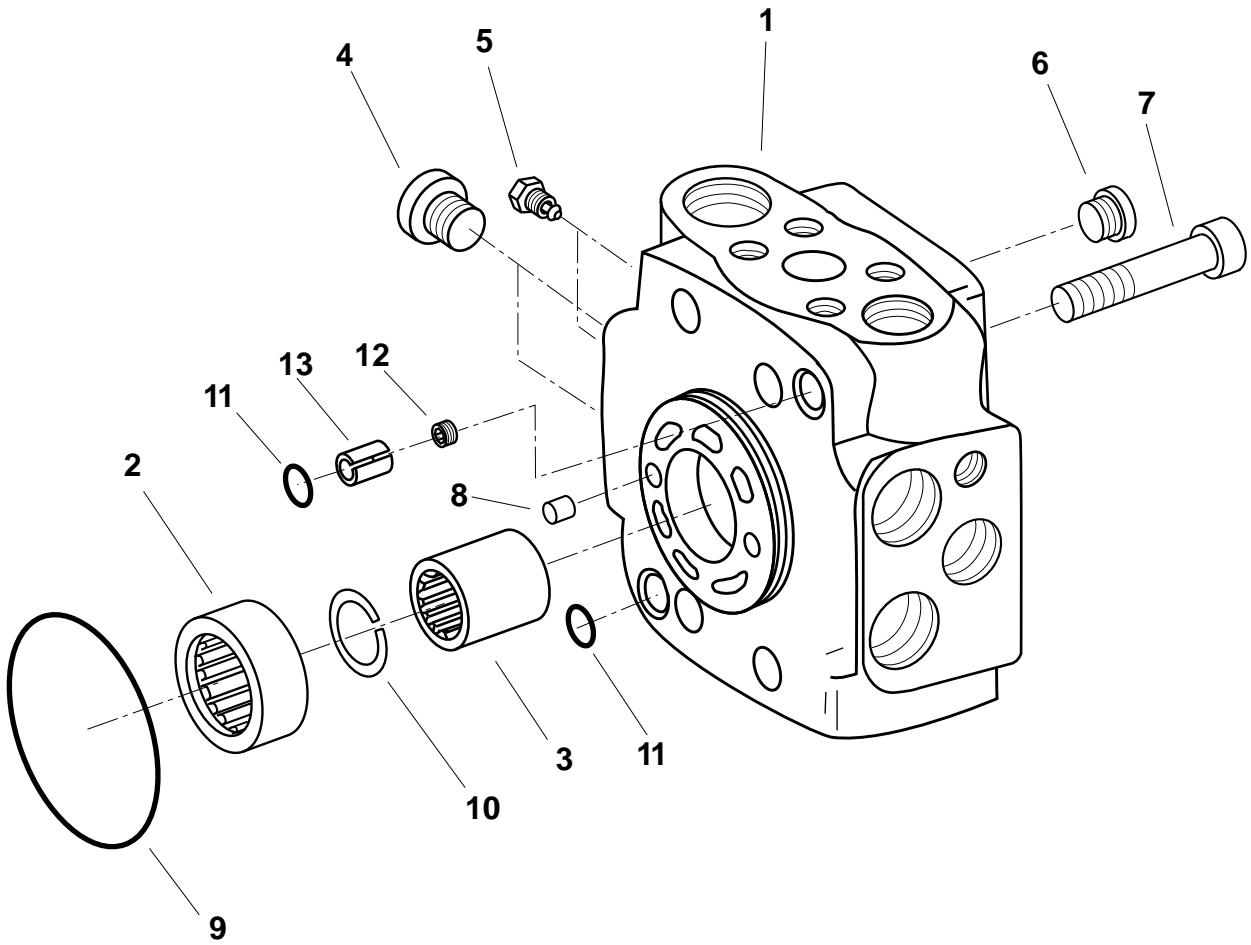
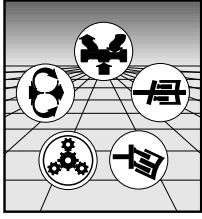
REXROTH CORPORATION

MOBILE HYDRAULICS DIVISION

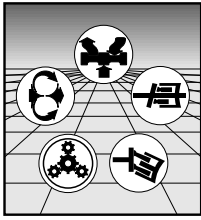
Assembly Number
5450-574-003

Item	Description	Qty	Part Number	
1	Rod	1	H431703	
2	Piston	1	H400340	
3	Spring Collar with Bushing	4	H408001	
4	Spacer Bushing	1	H078358	▲
4	Spacer Bushing	0	H078359	▲
4	Spacer Bushing	0	H078360	▲
5	Spring	2	H418169	
6	Seeger V-Ring	2	H156216	
7	Jam Nut (BM14 x 1.5 DIN 439-04)	4	H156199	

▲ Choose the Correct Spacer Bushing to Set Maximum Displacement.



Assembly Number
5450-430-010



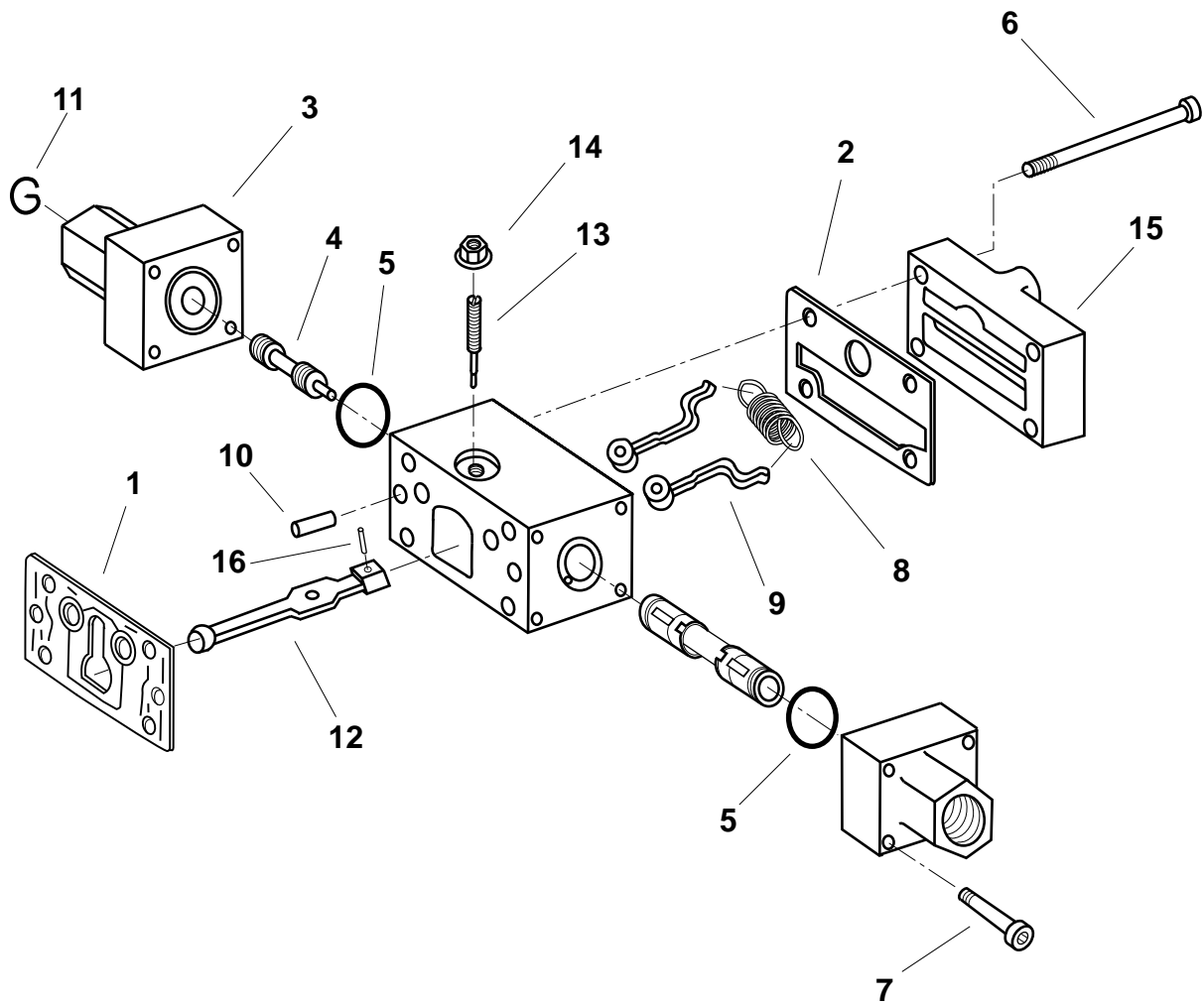
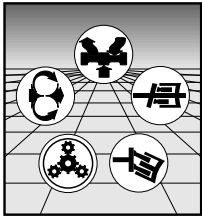
REXROTH CORPORATION

MOBILE HYDRAULICS DIVISION

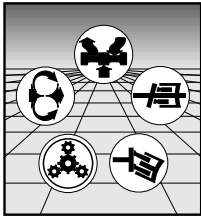
Assembly Number
5450-430-010

Item	Description	Qty	Part Number	
1	Port Block Housing	1	5450-430-011	
2	Rear Shaft Bearing	1	H156113	
3	Charge Pump Coupling	1	H078307	
4	Plug (SAE 3/4-16)	2	76107-008	
5	P.O.R C/V Ass'y	2	H079500	
6	Plug (SAE 7/16-20)	2	76107-004	
7	Cap Screw (M16 x 100 DIN 912-10.9)	4	60119-187	
8	Dowell Pin (M5 x 12 DIN -6325)	1	69119-006	
9	O-Ring (70 Duro Buna PRP-245)	1	68101-245	*
10	Int. Retaining Ring (28 x 2 DIN -7993)	1	71129-012	
11	Quad Ring (90 Duro PRP- 4018)	2	H157085	*
12	Socket Head Plug (M10 x 1.0)	1	76117-005	

* Contained in Buna Seal Kit 5450-635-002



Assembly Number
5451-552-001



REXROTH CORPORATION

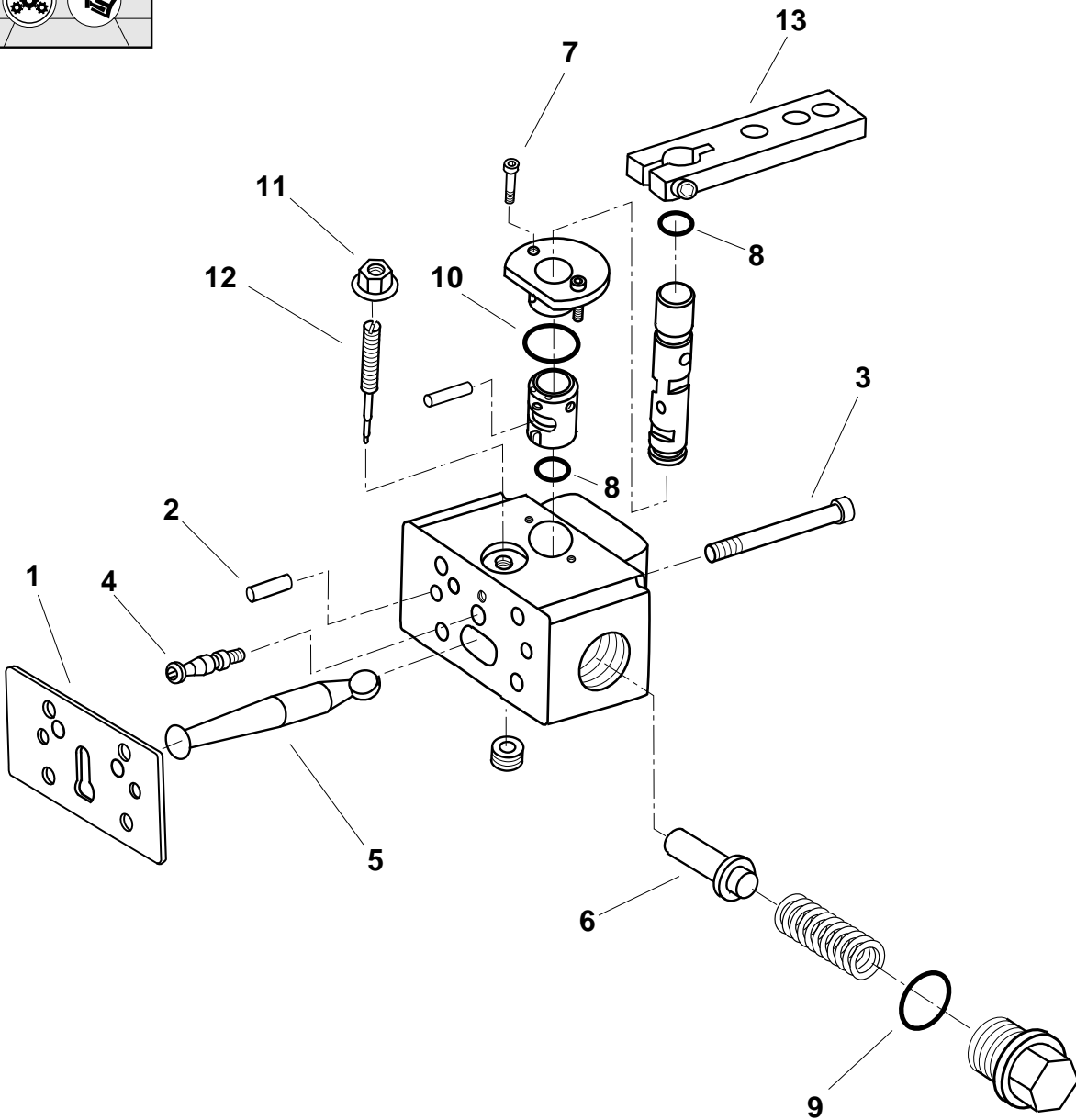
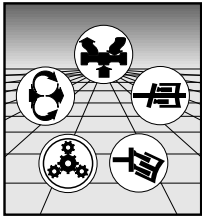
MOBILE HYDRAULICS DIVISION

Assembly Number
5451-552-001

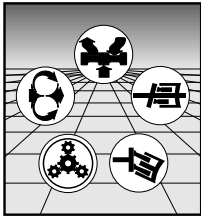
Item	Description	Qty	Part Number	
1	Control Module Gasket	1	5400-082-001	*
2	Cover Gasket	1	5400-082-002	*
3	End Caps	2	H417430	
4	Piston	2	H413580	
5	O-Ring (70 Duro Buna PRP-018)	2	68101-018	*
6	Cap Screw (M6 x 55 DIN 912 -8.8)	4	60118-066	❖
7	Cap Screw (M4 x 20 DIN 912 -8.8)	8	60118-020	
8	Spring	1	H432234	
9	Control Arms	2	H411666	
10	Dowel Pin (6 x 14 mm DIN 6325)	2	69116-005	
11	Retaining Ring	2	H156539	
12	Feedback Lever	1	H408301	
13	Eccentric Pin	1	H079473	
14	Seal Nut (M6)	1	65110-003	*
15	Rear Cover	1	H071512	❖
16	Dowel Pin (M3 x 11.8 DIN 5402)	1	H151552	

* Contained in Buna Seal Kit 5450-635-002

❖ These items are not used with POR. Use bolts listed with POR Assembly.



Assembly Number
5452-552-001



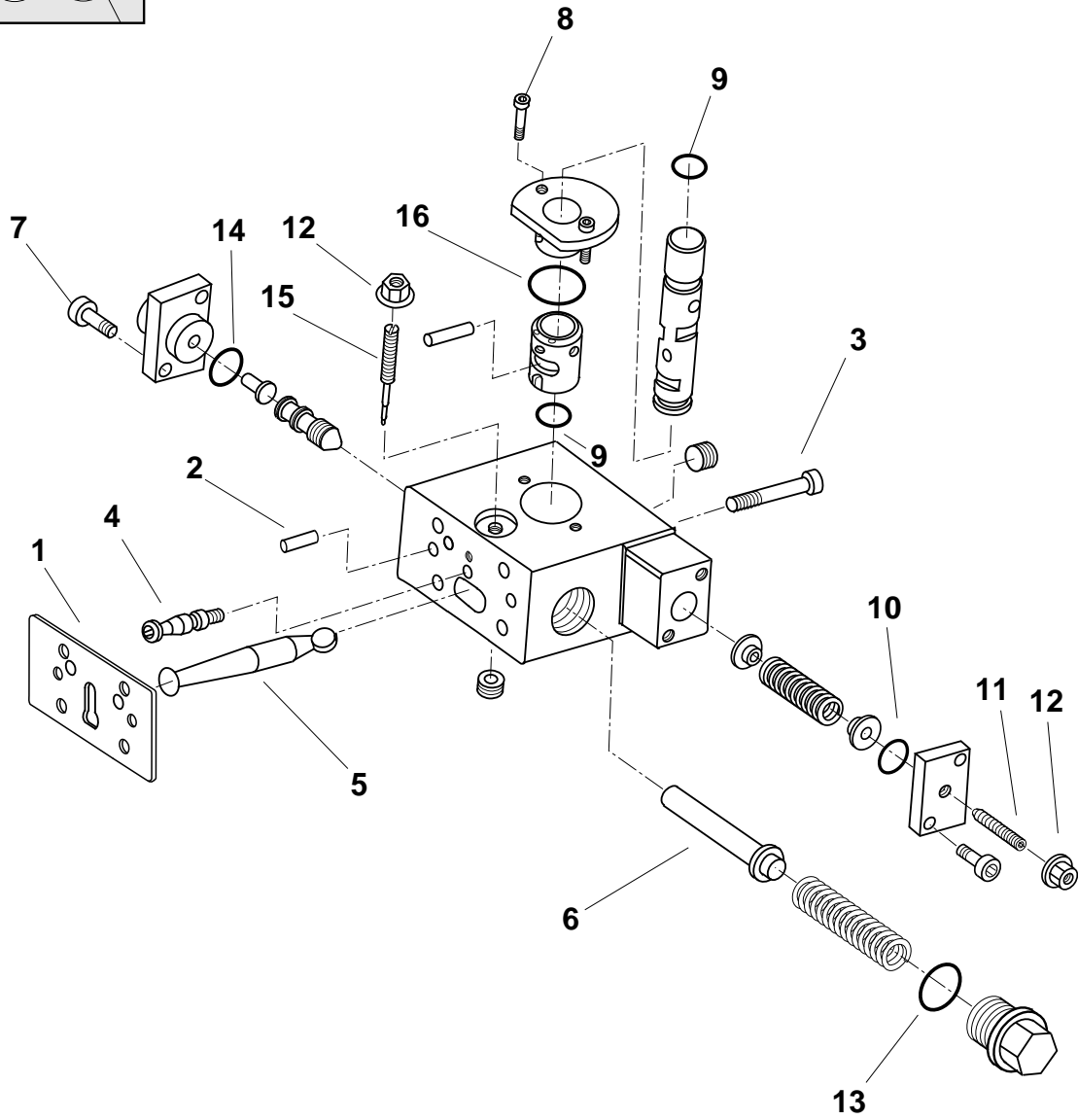
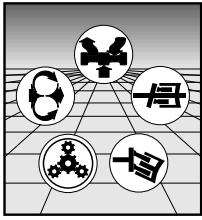
REXROTH CORPORATION

MOBILE HYDRAULICS DIVISION

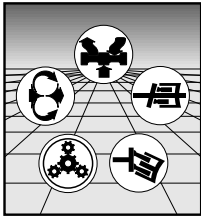
Assembly Number
5452-552-001

Item	Description	Qty	Part Number	
1	Control Module Gasket	1	5400-082-001	*
2	Dowel Pin (6 x 14 mm DIN 6325)	2	69116-005	
3	Cap Screw (M6 x 70 DIN 912-8.8)	4	60118-069	
4	Center Pin	1	H425121	
5	Feedback Lever	1	H431257	
6	Push Pin	2	H425120	
7	Cap Screw (M5 x 10 DIN 6912-8.8)	2	60140-010	
8	O-Ring (70 Duro Buna PRP-012)	2	68101-012	*
9	O-Ring (90 Duro Buna PRP-115)	2	68104-115	*
10	O-Ring (70 Duro Buna PRP-019)	1	68101-019	*
11	Seal Nut (M6)	1	65110-003	*
12	Eccentric Pin	1	H079473	
13	Control Lever	1	5402-063-001	

* Contained in Buna Seal Kit 5450-635-002



Assembly Number
5452-552-002



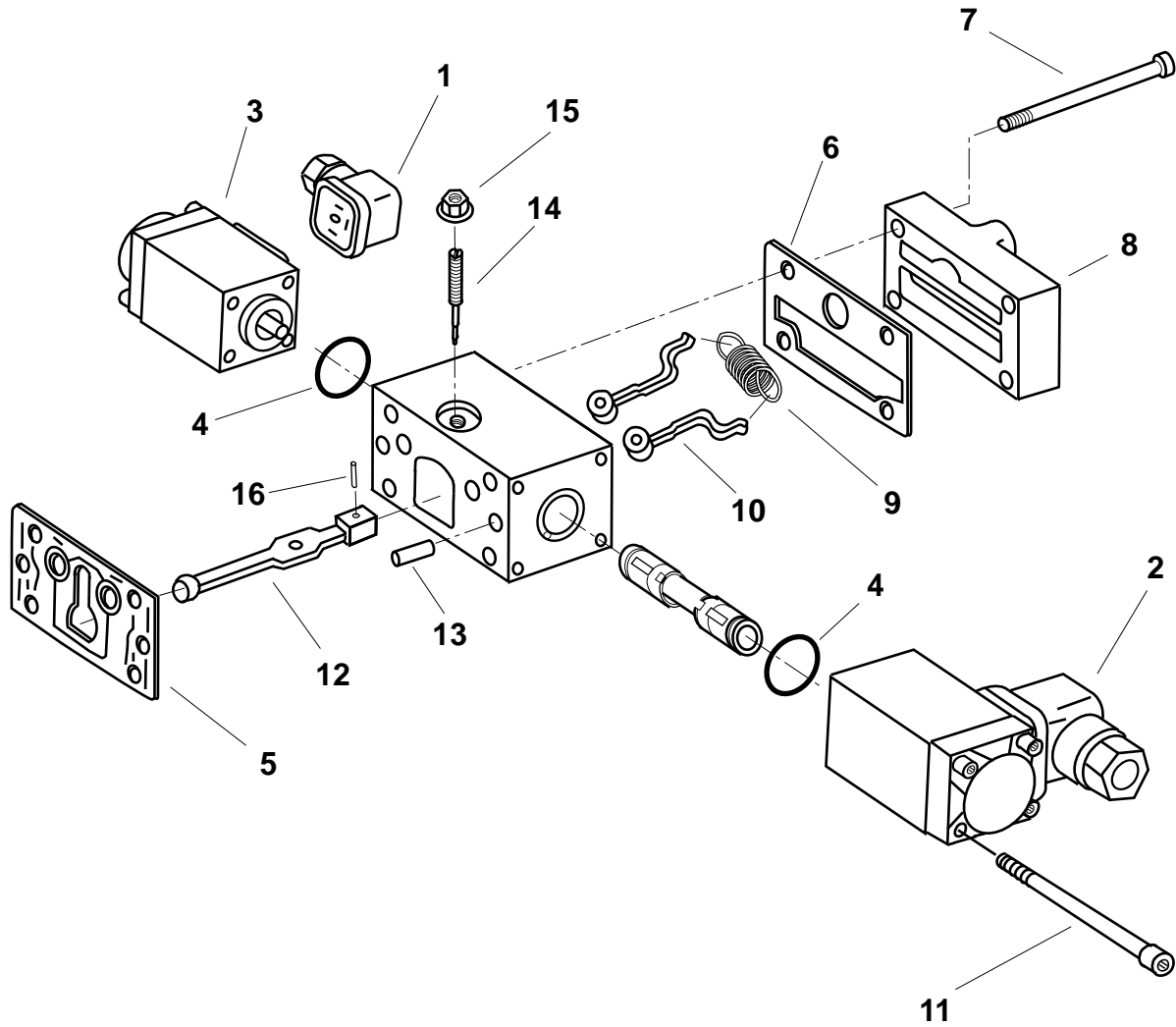
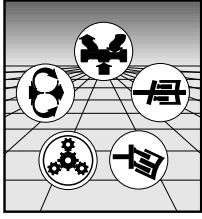
REXROTH CORPORATION

MOBILE HYDRAULICS DIVISION

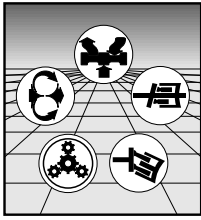
Assembly Number
5452-552-002

Item	Description	Qty	Part Number	
1	Control Module Gasket	1	5400-082-001	*
2	Dowel Pin (6 x 14 mm DIN 6325)	2	69116-005	
3	Cap Screw (M6 x 70 DIN 912 -8.8)	4	60118-069	
4	Center Pin	1	H425121	
5	Feedback Lever	1	H431257	
6	Push Pin	2	H425120	
7	Cap Screw (M5 x 12 DIN 912-8.8)	4	60118-033	
8	Cap Screw (M5 x 10 DIN 6912-8.8)	2	60140-010	
9	O-Ring (70 Duro Buna PRP-012)	2	68101-012	*
10	O-Ring (70 Dura Buna PRP-016)	1	68101-016	*
11	Adjusting Screw (M6 x 35 DIN 914-10.9)	1	60136-047	
12	Seal Nut (M6)	2	65110-003	*
13	O-Ring (90 Duro Buna PRP-115)	2	68104-115	*
14	O-Ring (70 Duro Buna PRP-017)	1	68101-017	*
15	Eccentric Pin	1	H079473	
16	O-Ring (70 Duro Buna PRP-019)	1	68101-019	*

* Contained in Buna Seal Kit 5450-635-002



Assembly Number
5453-552-001



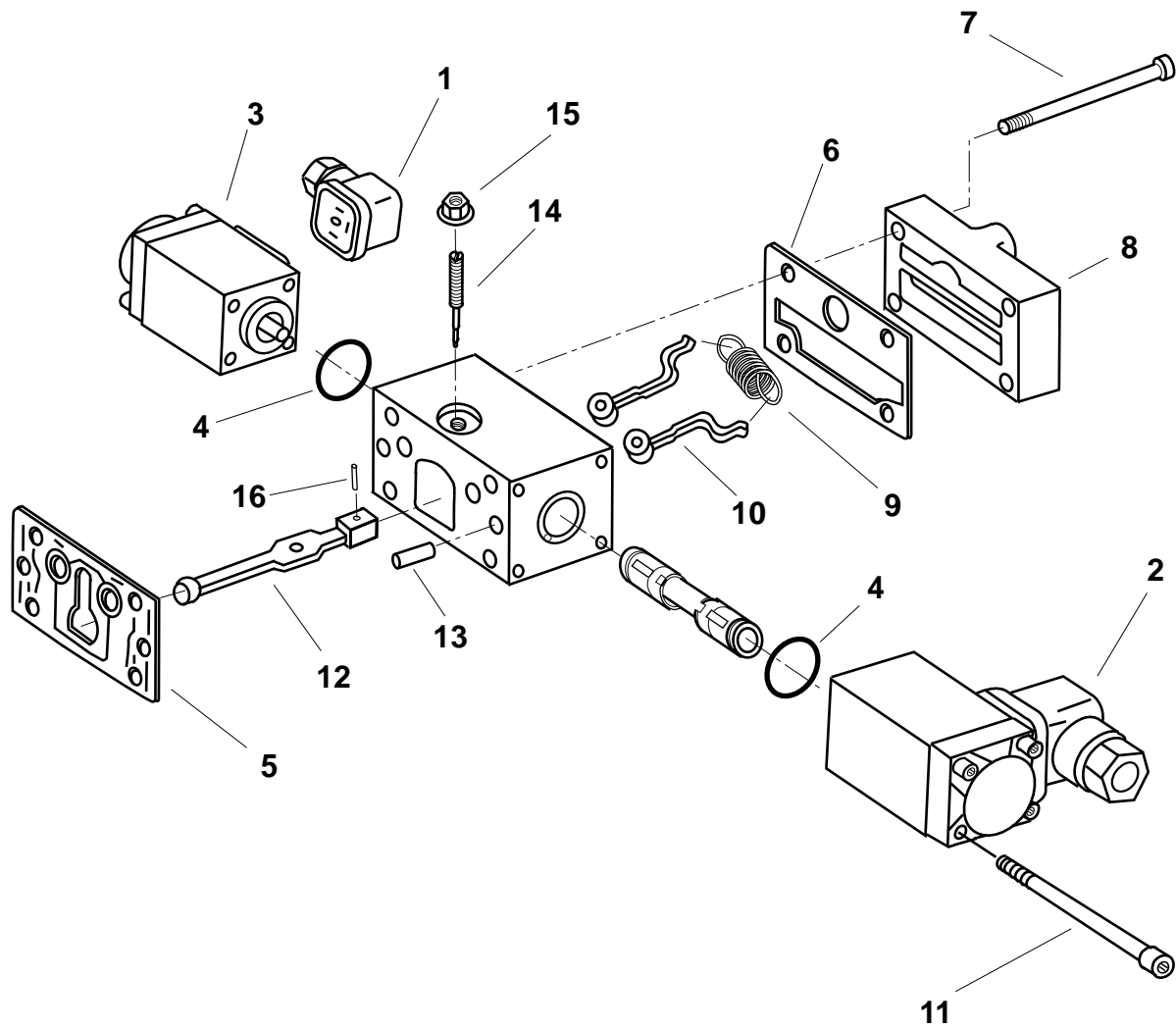
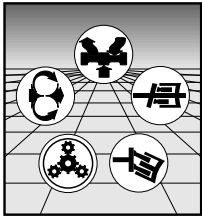
REXROTH CORPORATION

MOBILE HYDRAULICS DIVISION

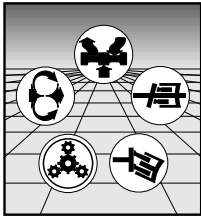
Assembly Number
5453-552-001

Item	Description	Qty	Part Number	
1	Hershman Connector (Gray)	1	5400-085-001	
2	Hershman Connector (Black)	1	5400-085-002	
3	Solenoid-Prop. 24V	2	5403-580-001	
4	O-Ring (70 Duro Buna PRP-018)	2	68101-018	*
5	Control Gasket	1	5400-082-001	*
6	Control Gasket	1	5400-082-002	*
7	Cap Screw (M6 x 55 DIN 912-8.8)	4	60118-066	
8	Rear Cover	1	H071512	
9	Feedback Spring	1	H413287	
10	Control Arms	2	H411666	
11	Cap Screw (M4 x 70 DIN 912-8.8)	8	60118-341	
12	Feedback Lever	1	H408301	
13	Dowel Pin (6 x 14 mm DIN 6325)	2	69116-005	
14	Eccentric Screw	1	H071520	
15	Seal Nut (M6)	1	65110-003	*
16	Pin	1	H151552	

* Contained in Buna Seal Kit 5450-635-002



Assembly Number
5453-552-002



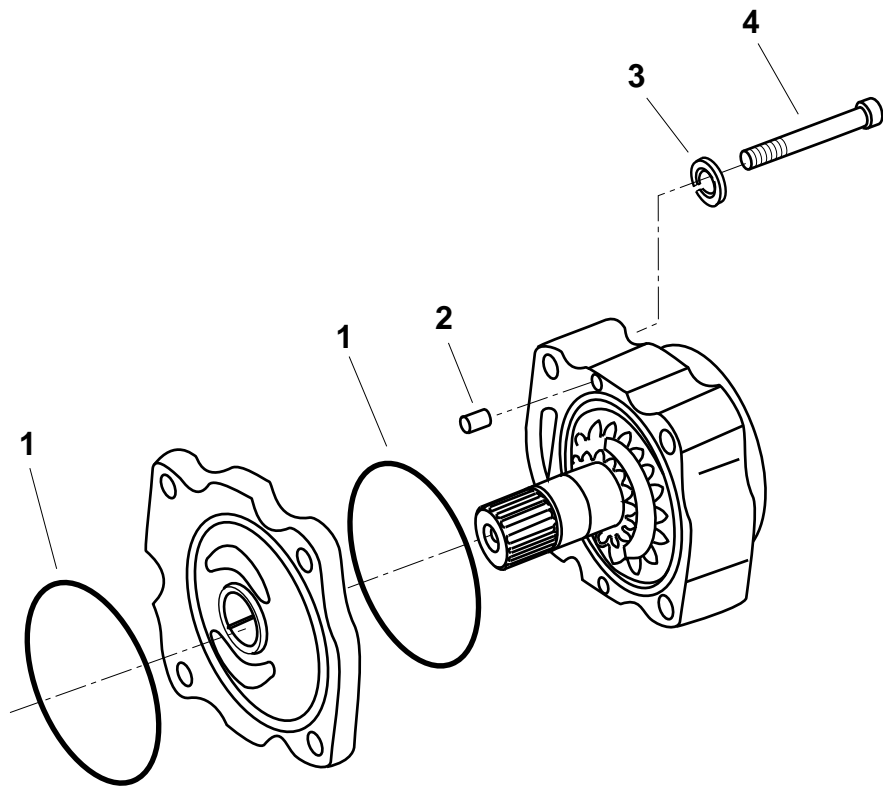
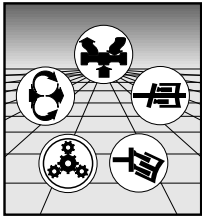
REXROTH CORPORATION

MOBILE HYDRAULICS DIVISION

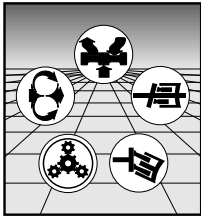
Assembly Number
5453-552-002

Item	Description	Qty	Part Number	
1	Hershman Connector (Gray)	1	5400-085-001	
2	Hershman Connector (Black)	1	5400-085-002	
3	Solenoid-Prop. 12V	2	5403-580-002	
4	O-Ring (70 Duro Buna PRP-018)	2	68101-018	*
5	Control Gasket	1	5400-082-001	*
6	Control Gasket	1	5400-082-002	*
7	Cap Screw (M6 x 55 DIN 912-8.8)	4	60118-066	
8	Rear Cover	1	H071512	
9	Feedback Spring	1	H413287	
10	Control Arms	2	H411666	
11	Cap Screw (M4 x 70 DIN 912-8.8)	8	60118-341	
12	Feedback Lever	1	H408301	
13	Dowel Pin (6 x 14 mm DIN 6325)	2	69116-005	
14	Eccentric Screw	1	H071520	
15	Seal Nut (M6)	1	65110-003	*
16	Pin	1	H151552	

* Contained in Buna Seal Kit 5450-635-002



Assembly Number
5450-430-001



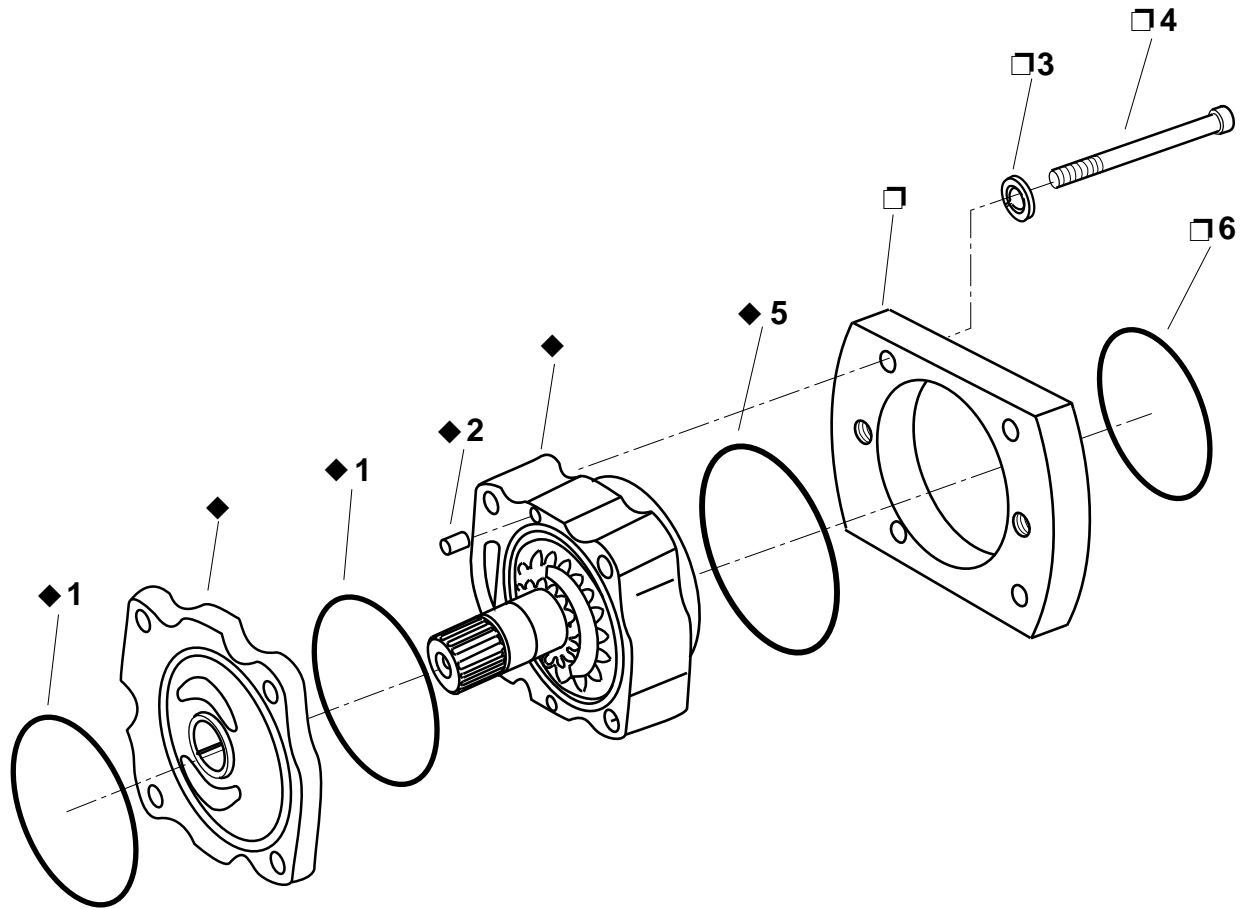
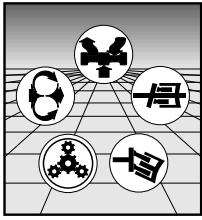
REXROTH CORPORATION

MOBILE HYDRAULICS DIVISION

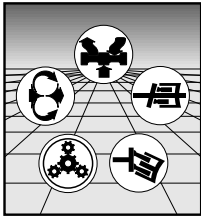
Assembly Number
5450-430-001

Item	Description	Qty	Part Number	
1	O-Ring (90 Duro Buna PRP-155)	2	68104-155	*
2	Dowel Pin (6 x 10 mm DIN 7)	1	69115-003	
3	Lock Washer (M10 DIN 7980)	4	61116-001	
4	Cap Srew (M10 x 65 DIN 912- 8.8)	4	60118-119	

* Contained in Buna Seal Kit 5450-635-002



Assembly Number
5450-635-010



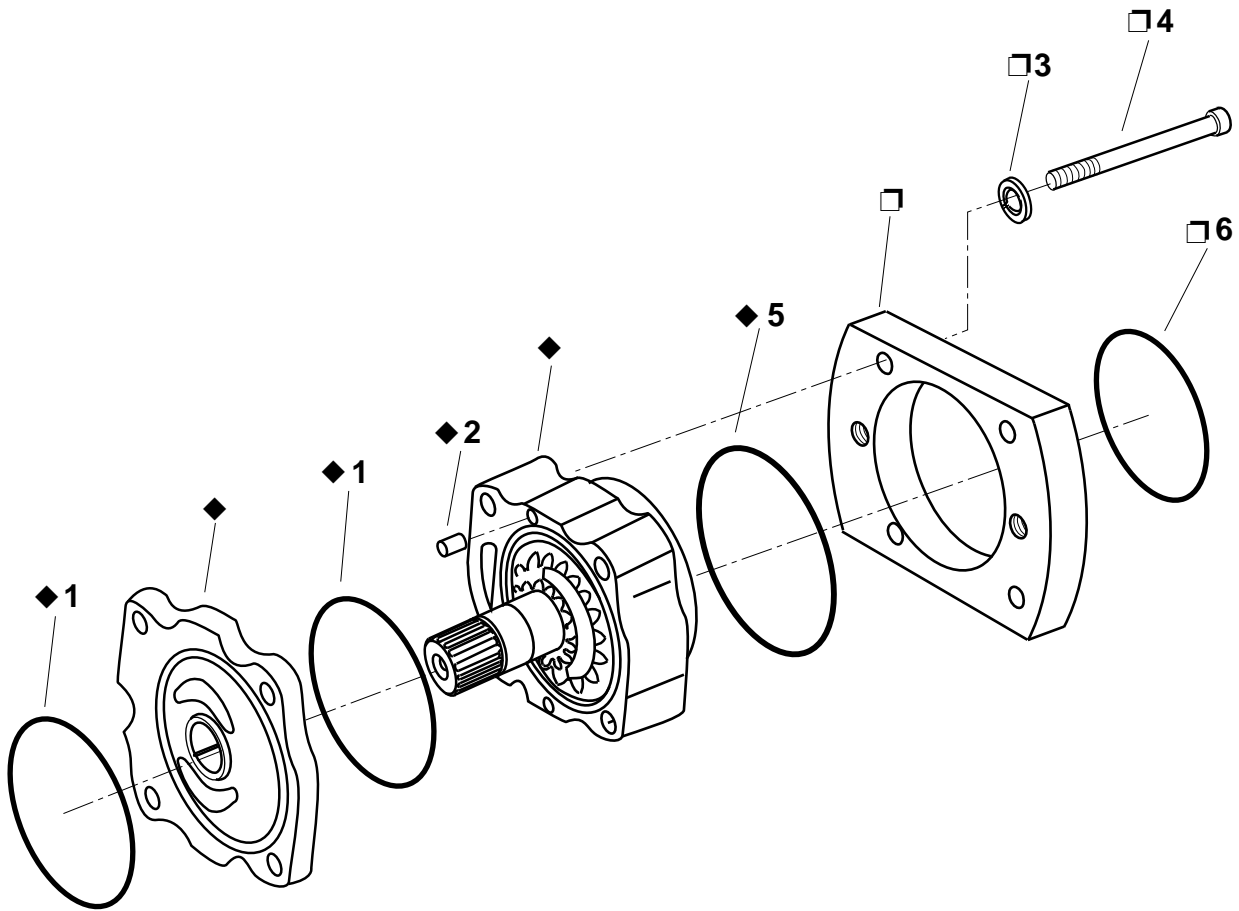
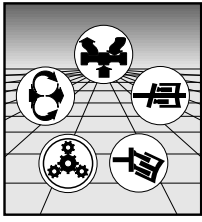
REXROTH CORPORATION

MOBILE HYDRAULICS DIVISION

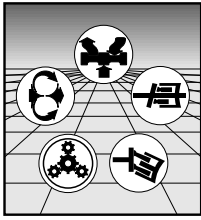
Assembly Number
5450-635-010

Item	Description	Qty	Part Number	
1	O-Ring (90 Duro Buna PRP-155)	2	68104-155	*
2	Dowel Pin (6 x 10 mm DIN 7)	2	69115-003	
3	Lock Washer (M8 DIN 7980)	4	61116-003	
4	Cap Screw (M10 x 80 DIN 912- 8.8)	4	60118-122	
5	O-Ring (90 Duro Buna PRP-155)	1	68104-155	*
6	O-Ring (70 Duro Buna PRP-042)	1	68101-042	*

- * Contained in Buna Seal Kit 5450-635-002
- ◆ These parts included in 5450-430-005
- These parts included in 5450-635-008



Assembly Number
5450-635-003



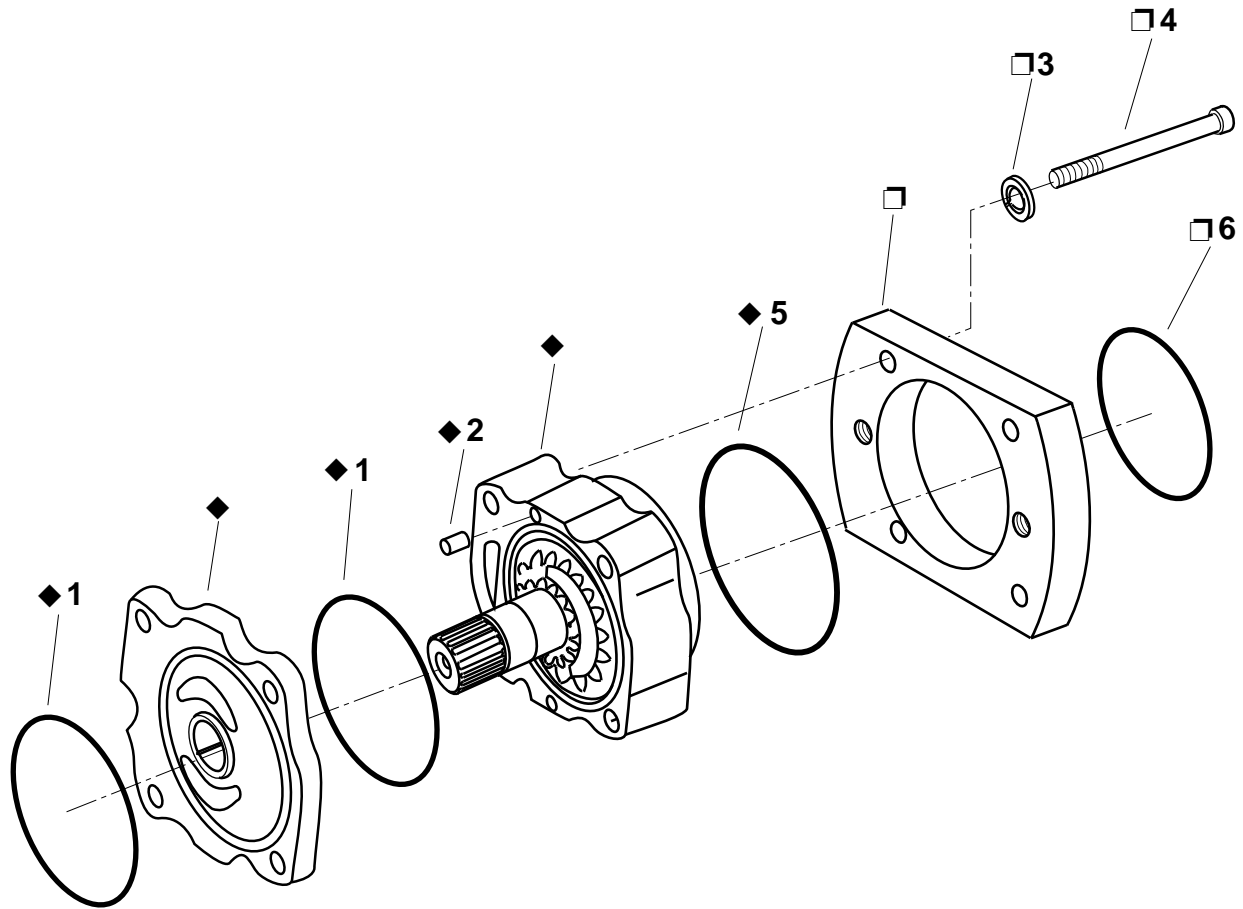
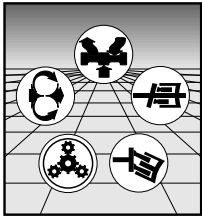
REXROTH CORPORATION

MOBILE HYDRAULICS DIVISION

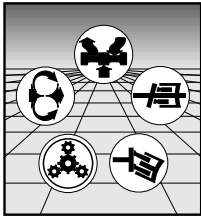
Assembly Number
5450-635-003

Item	Description	Qty	Part Number	
1	O-Ring (90 Duro Buna PRP-155)	2	68104-155	*
2	Dowel Pin (6 x 10 mm DIN 7)	2	69115-003	
3	Lock Washer (M10 DIN 7980)	4	61116-001	
4	Cap Screw (M10 x 70 DIN 912- 8.8)	4	60118-120	
5	O-Ring (90 Duro Buna PRP-155)	1	68104-155	*
6	O-Ring (70 Duro Buna PRP-045)	1	68101-045	

- * Contained in Buna Seal Kit 5450-635-002
- ◆ These parts included in 5450-430-003
- These parts included in 5450-635-009



Assembly Number
5450-635-012



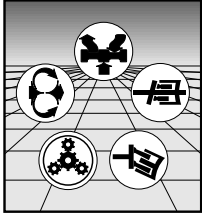
REXROTH CORPORATION

MOBILE HYDRAULICS DIVISION

Assembly Number
5450-635-012

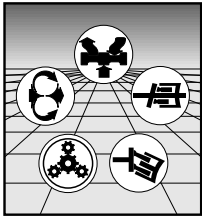
Item	Description	Qty	Part Number	
1	O-Ring (90 Duro Buna PRP-155)	2	68104-155	*
2	Dowel Pin (6 x 10 mm DIN 7)	2	69115-003	
3	Lock Washer (M8 DIN 7980)	4	61116-003	
4	Cap Screw (M10 x 70 DIN 912- 8.8)	4	60118-120	
5	O-Ring (90 Duro Buna PRP-155)	1	68104-155	*
6	O-Ring (70 Duro Buna PRP-045)	1	68101-045	*

- * Contained in Buna Seal Kit 5450-635-002
- ◆ These parts included in 5450-430-006
- These parts included in 5450-635-009



IN PREPARATION

Assembly Number
5450-635-014

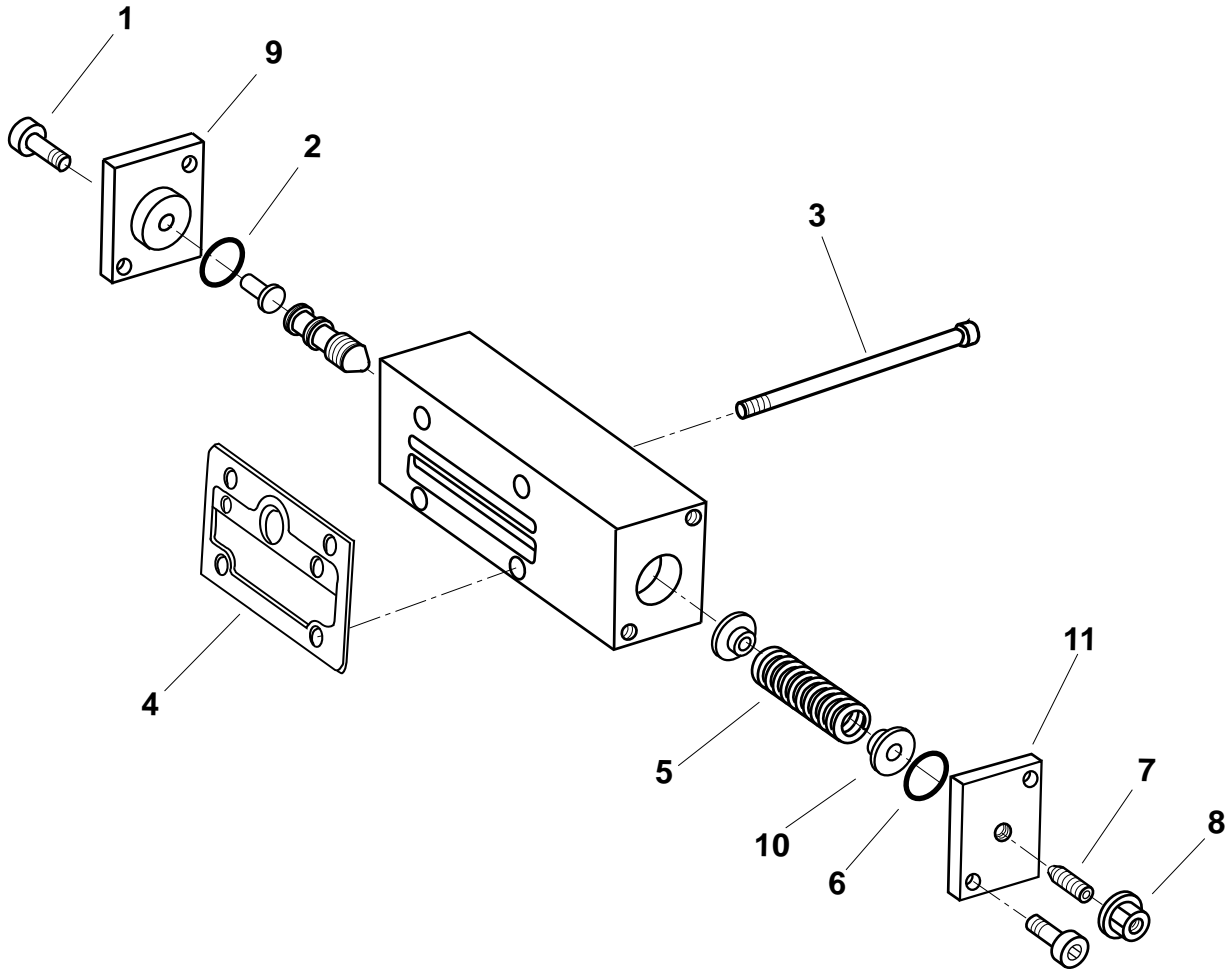
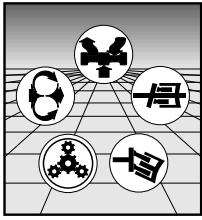


REXROTH CORPORATION

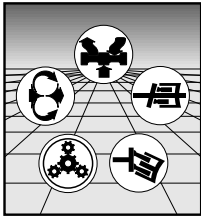
MOBILE HYDRAULICS DIVISION

Assembly Number
5450-635-014

	IN PREPARATION			



Assembly Number
5400-635-005



REXROTH CORPORATION

MOBILE HYDRAULICS DIVISION

Assembly Number
5400-635-005

Item	Description	Qty	Part Number	
1	Cap Screw (M5 x 12 DIN 912-8.8)	4	60118-033	
2	O-Ring (70 Duro Buna PRP-017)	1	68101-017	*
3	Cap Screw (M6 x 70 DIN 912-8.8)	4	60118-092	
4	Control Module Gasket	1	5400-082-002	*
5	Spring	1	H420972	
6	O-Ring (70 Duro Buna PRP-016)	1	68101-016	*
7	Adjusting Screw (M6 x 25 DIN 914-10.9)	1	60136-002	
8	Seal Nut (M6)	1	65110-003	*
9	Cover	1	H404572	
10	Spring Collar	4	H420971	
11	Cover	1	H404507	

* Contained in Buna Seal Kit 5450-635-002

Variable Pump AA4V, Series 1

Specifications, descriptions, and illustrative material shown herein were as accurate as know at the time this publication was printed. Rexroth reserves the right to discontinue models or options at any time or to change specifications, materials, or designs without notice and without incurring obligation.

DISTRIBUTED BY: